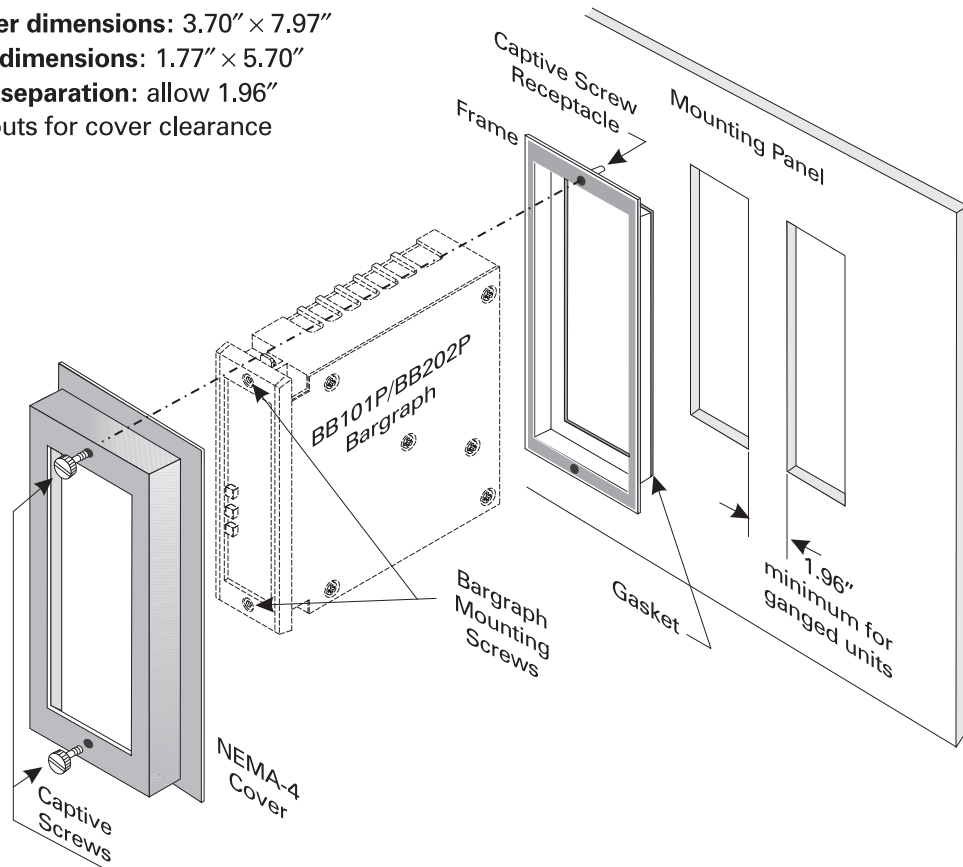


Subject: <b>NEMA-4 Front Cover Installation Instructions</b>	Initial Release Date: 09/13/1993	Revision Date: 01/08/2001
	Product Group: BB101P, BB202P	

This Product Information Note describes how to install the optional NEMA-4-rated front cover (P/N 243-55158) with bargraphs BB101P and BB202P.

**NEMA-4 Cover dimensions:** 3.70" × 7.97"  
**Panel cutout dimensions:** 1.77" × 5.70"  
**Gang-mount separation:** allow 1.96"  
between cutouts for cover clearance



1.	Remove the NEMA-4 kit from its bag.
2.	Unscrew both captive screws and separate the cover from the frame.
3.	Slide the bargraph through the frame and into the panel cutout. Press the bargraph firmly against the mounting panel to compress the gasket material while tightening the bargraph mounting screws.  <b>CAUTION! Do not tighten the bargraph mounting screws so tight that the captive screw receptacles are damaged.</b>
4.	Attach the cover to the frame using the captive screws.